
Bio-STAR



Introduction

The Bio-STAR comes in new and improved style with larger graphic LCD display to show the information of the employee. It has 5,00,000 recording capacity with up to 9,560 fingerprint templates storage capacity.

The Bio-STAR runs on multiple operational modes like fingerprint, card or PIN etc. This device can be connected through built-in TCP/IP over Ethernet & USB port for data transfer. Also, the Bio-STAR can be customized according to your requirements.

Features

Larger LCD Graphics display

5 lacs recording capacity

Multiple operational modes

5 lacs recording capacity

2000-10000 finger template storage

Voice guided message in Hindi/English

Built-in Ethernet TCP/IP connectivity/USB Port

Customization possible (according to the requirement)

Specifications

Processor: 32 Bit RISC MCU @ 70MHz

Memory Transaction: 1 GB SD Memory Card almost unlimited records Storage

User Capacity: 10,000

Display LCD: 128x64 STN / YELLOW Graphics Display (70.70 mm 38.80 mm)

Identification Time: Less than 1 Sec

USB Port: Support USB Pen drive for data transfer

Card Type: Contactless EM4100 Card (Proximity) I MIFARE (ISO / IEC 14443 A)
(Smart Card)

Read Range/Frequency: EM Card – up to 120 mm /125KHZ ; MIFARE- up to 60
mm 113.56 MHz

Communication Method: Serial RS232, Ethernet RJ45 TCP / IP Protocol

Baud Rate (Selectable): (2400 -115200) bps, TCP/IP Ethernet 10/100 Mbps

Operating Temperature: 0 to 50 degree Celsius

Operating Humidity: 10 to 90% Non-condensing

Operating Voltage: DC 12V , 1 A Through Adapter (Battery Backup Optional)

Keypad: 16 Key (4×4)

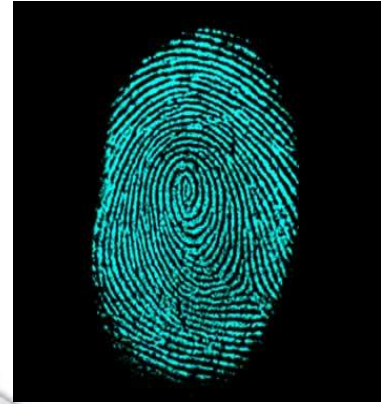
Dimension/ Weight: L 182mm H:155mm W:45mm/500 grms

Visual Indicator: Red/ Green LED / Message on LCD in English / Other language (Optional)

Audio Indicator: Voice Guided message (Adjustable volume) / voice message in other language (optional)/ Customized voice greeting (optional).

Operational Modes

- Only finger
- Only card
- Finger in card
- Card with Password
- PIN
- Password
- Card with finger



Fingerprint Scanner

Sensor Technology: Optical CMOS

Sensing Area: 16.0mm × 19.0mm

Image Size (Pixels): 272 × 320

Image Resolution: 500 dpi

Finger Verification Option: 1:N (Only Finger)

Finger Template Size: 384 bytes.

EER < 0.1%

Enrollment Time: 1~1.5 Sec

Verifications < 0.8 Sec

Identification Time: 1~1.5 Sec

FingerPrint storage: 10,000



Remote Device Management

Remote Device Management allows us to manage the devices installed at multiple location with ease. Without physical manipulation, Bio-STAR allows user to do certain things through “**web-based management module**” which eases the operation of device. Also, you can manage device location wise, dept. wise etc.

- Finger Enrolment from any location
- Addition/Deletion of USER list
- Data Deletion
- Date-Time Set
- Sending finger through server
- Multiple location device management
- 2-way communication through Static IP



Other Utilities of Bio-STAR



Access Control with Bio-STAR

Access Control is installed in office premises to restrict the unwanted movements.

Access Control Systems are made of three important mechanisms: the locks and the access device.

Bio-STAR can be used as the access device for successful operation. It also generates "**IN** and **OUT**" report for maintenance of records.



Hooter Interface

Hooter interface is used to be connected with alarm or hooter that can be fixed through the biometric device, which is used for attendance. Bio-STAR can be used for accurate and precise working. It is basically an interface, connected through the serial port with Bio-STAR.



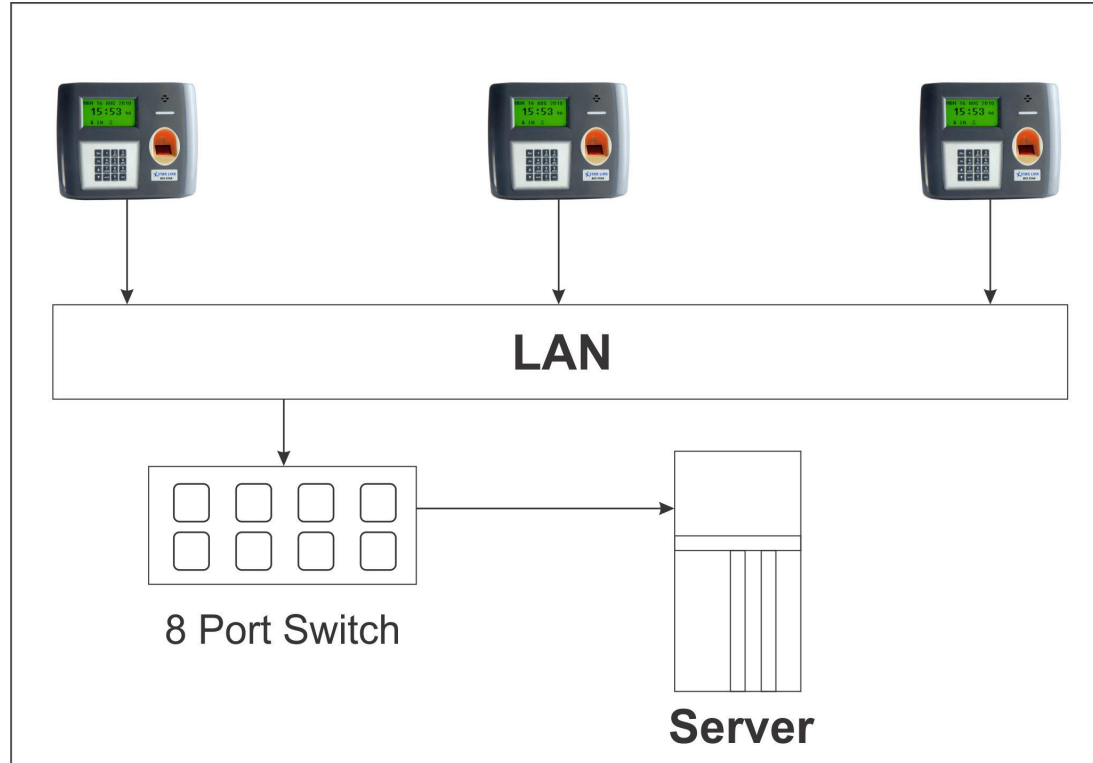
Guard Tracking

Bio-STAR can be used for Guard Tracking application. These devices are installed at certain check-points in the periphery of the company, where guards make some transaction in fixed time intervals.

It generates the report of each transaction done in every machine. You have to use Smart card for the easier operation of this system.



Wired Connectivity



Service & Support



STAR LINK- Memeber of ESAI

STAR LINK (ISO 9001:2008) has been registered in **ELECTRONIC SECURITY ASSOCIATION OF INDIA** under leading manufacturer of Biometric Devices.



**ELECTRONIC SECURITY
ASSOCIATION OF INDIA**

ID - MA0280DL

For Any Biometric Needs

Contact US

Star Link Communication Pvt Ltd

D-88/4, Okhla Phase I, Okhla Industrial Area,
New Delhi-110020

Phone: 011 4059 8888(100 Lines)

Email: **sales@starlinkindia.com**

Toll Free No. **1800-11-8088**

THANK YOU....

